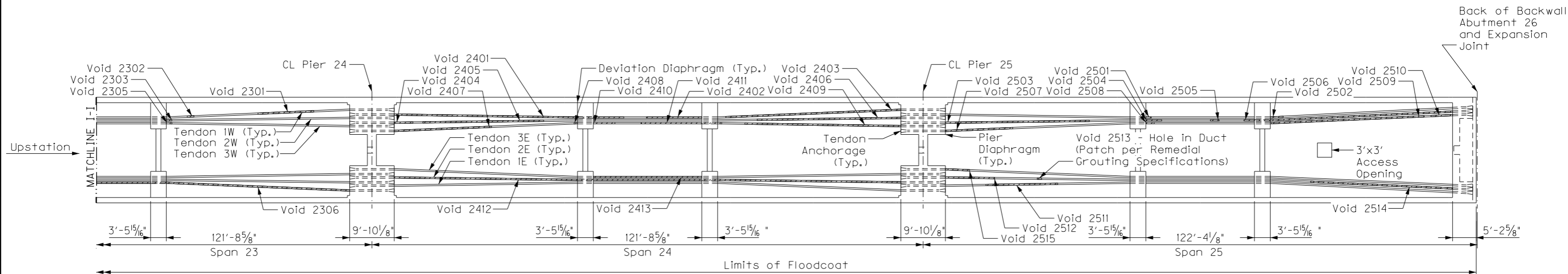
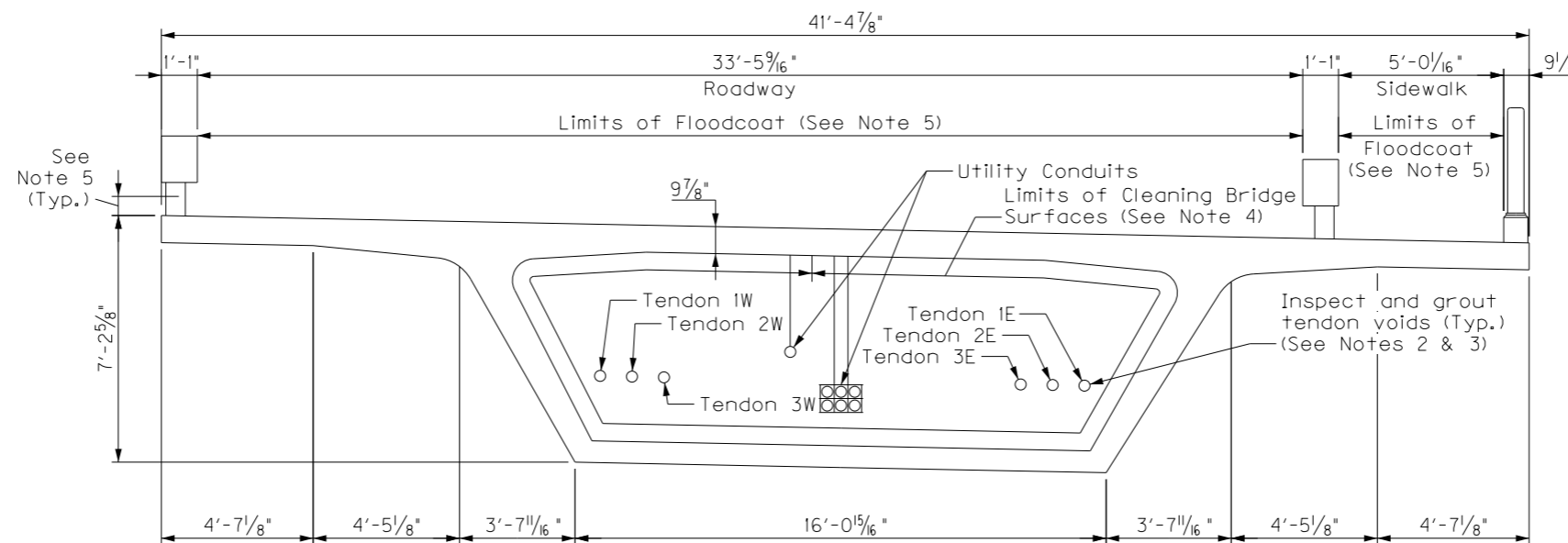


DESCRIPTION	REVISIONS	DATE



PLAN SHOWING APPROXIMATE VOID LOCATIONS  
(Deck Not Shown)

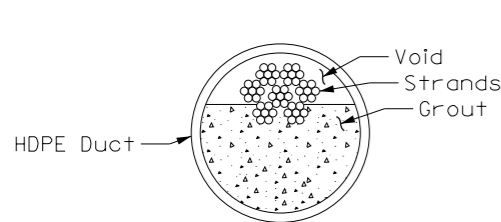
Approximate extents of voids.  
See Sheet 5 of 5 for length estimation.



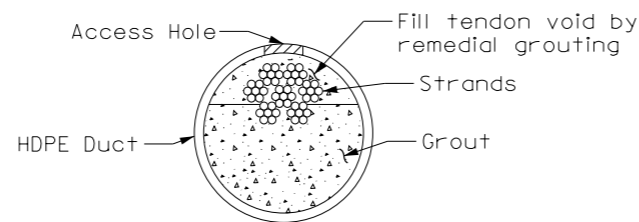
TYPICAL SECTION  
(Looking Upstation)

Notes:

1. Drawings are not to scale.
2. Inspect tendons for voided areas in accordance with the Tendon Inspection Specifications on Sheet 3.
3. Perform Remedial Grouting to fill tendon voids in accordance with the Remedial Grouting Specifications on Sheet 2.
4. In addition to cleaning the webs, top slab, and bottom slab, clean diaphragms, tendons and utilities. The cost of these additional areas shall be incidental to "Cleaning Bridge Surfaces."
5. Also apply floodcoat 6 inches up the side of all vertical surfaces (curbs and parapets).
6. See Sheet 4 for sealing specifications.



EXISTING TENDON SECTION  
(For illustration purposes only, not to scale)



PROPOSED TENDON SECTION  
(For illustration purposes only, not to scale)

REMEDIAL GROUTING DETAILS

DRAWN	IRM	2-13	<b>OKLAHOMA DEPARTMENT OF TRANSPORTATION</b> US 59 NB OVER GRAND LAKE DELAWARE COUNTY <b>BRIDGE "B" TENDON INSPECTION AND REPAIR DETAILS</b> (SHEET 4 OF 5) STATE JOB NO. 302231041 SHEET NO. 18
CHECKED	CRK	2-13	
APPROVED	DEM	2-13	